

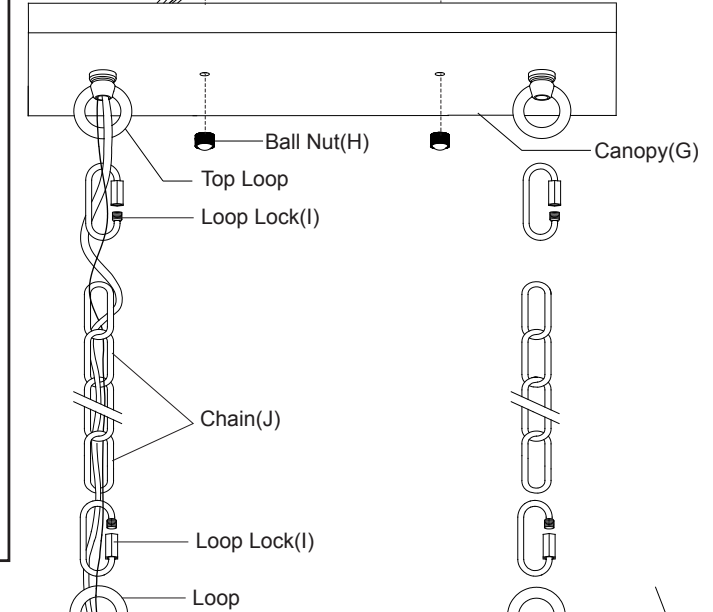
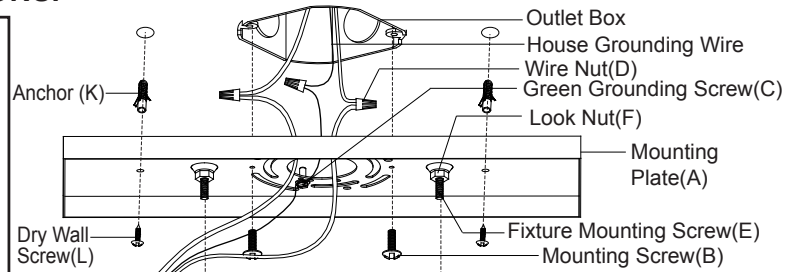
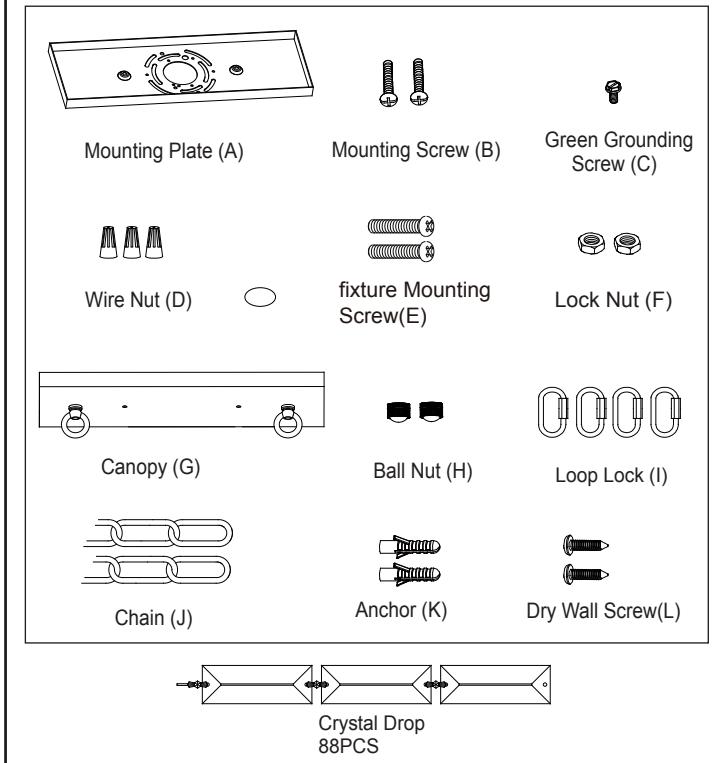
ASSEMBLY AND INSTALLATION INSTRUCTIONS

P0183

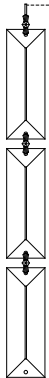
WARNING: TO AVOID RISK OF ELECTRICAL SHOCK, BE SURE TO SHUT OFF POWER BEFORE INSTALLING OR SERVICING THIS FIXTURE.

NOTES: 1. Before installing, consult local electrical codes for wiring and grounding requirements.
2. READ AND SAVE THESE INSTRUCTIONS.

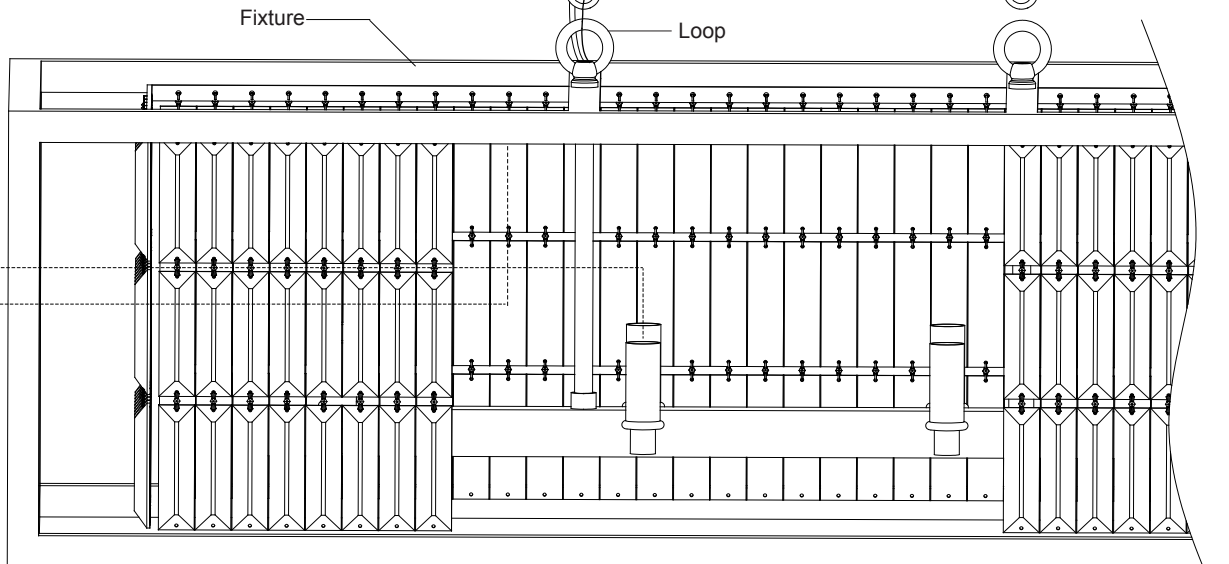
Hardware Package (included):



Bulb Type B Max. 60W
(not included)



Crystal Drop



Installation Steps

Turn off the power at fuse or circuit box

1. Fix the mounting plate to the wall.
 - a) For wooden material:

Attach the mounting plate to the outlet box by using two mounting screws, and then secure the dry wall screws through the set holes to the ceiling.
 - b) For cement material:

Place the mounting plate to the outlet box and mark the target on the wall surface from the set hole for drilling two holes. Remove the mounting plate from the outlet box. Thread the anchors into the holes, then attach the mounting plate to the outlet box by using two mounting screws. Secure the dry wall screws through the set holes into the anchors.
2. Install bulbs (not included). Check relamping label at socket area or packaging for maximum allowed wattage.
3. Install the crystal drops as shown in diagram.
4. Connect the chain:
 - Determine needed length of chain to achieve desired fixture height. (To remove excess chain section, use pliers to bend link open.)
 - Weave the fixture wires through the one chain and canopy.
5. Connect one end of one chain to the loop using a loop lock.
6. Connect the other end of the chain to the top loop using the other loop lock.
7. Repeat the other chain as per step 5.6.
8. Thread the fixture wire and fixture grounding wire through the canopy and mounting plate.
9. Pull out the source wires from the outlet box. Make wire connections using wire nuts as follows:
 - Connect the smooth-coated wire (marked) from the fixture to the black wire from the power source.
 - Connect the ribbed-coated wire (unmarked) from the fixture to the white wire from the power source.
 - Attach the fixture grounding wire to the mounting plate with the green grounding screw, and then connect it to the house grounding wire with a wire nut.Carefully put the wires back into the outlet box.
10. Attach the canopy to the mounting plate, and then secure it with two ball nuts.

Turn on the power at fuse or circuit box

The following parts are available for re-order if damaged or missing.

Spare Parts List:



Mounting Plate (A)



Mounting Screw (B)



Green Grounding Screw (C)



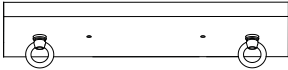
Wire Nut (D)



fixture Mounting Screw (E)



Lock Nut (F)



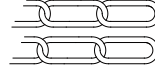
Canopy (G)



Ball Nut (H)



Loop Lock (I)



Chain (J)

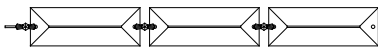


Anchor (K)

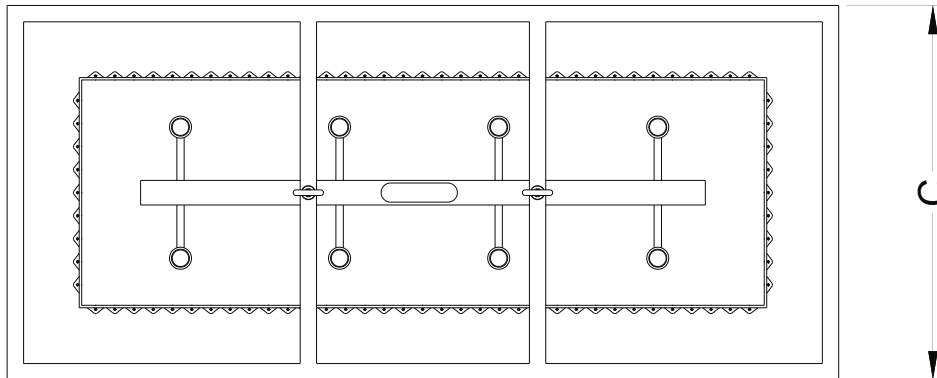
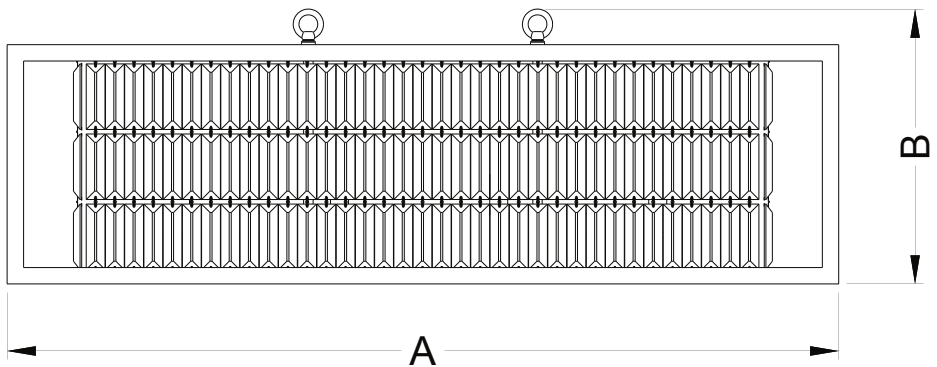


Dry Wall Screw (L)

Mounting Hardware
5433MM (1 SET)



Crystal Drop
5087CY(1SET)



A: 40" B: 13" C: 18"