

***** READ & SAVE THESE INSTRUCTIONS *****
MODEL 31025
INSTALLATION & OPERATION INSTRUCTIONS

1) TOOLS AND MATERIALS REQUIRED

- ❖ Blade Screwdriver
- ❖ Adjustable Wrench
- ❖ Wire Cutters
- ❖ Wiring supplies as required by Electrical Code

Attention:

Before assembling your lighting fixture, please read the following instructions. If you feel you do not have sufficient electrical experience, refer to a do-it-yourself wiring handbook or have your fixture installed by a qualified licensed electrician.

(2) GENERAL

1. To ensure the success of the installation, be sure to read these instructions thoroughly before beginning.
2. All electrical connections must be in accordance with local codes, ordinances, or the National Electrical Code. If you are unfamiliar with methods of installing electrical wiring, secure the services of a qualified licensed electrician.
3. These fixtures are intended for mounting to a standard 4" x 2 1/4" deep metal octagon outlet box. The box must be directly supported by the building structure and U.L. recognized.
4. Before commencing with the installation, **disconnect the power by turning off the circuit breaker** or by removing the fuse at the fuse box. Turning the power off using the light switch is not sufficient to prevent electrical shock.

NOTE:

The important safeguards and instructions appearing in this manual are not meant to cover all possible conditions and situations that may occur. It must be understood that common sense, caution and care, are factors that cannot be built into any product. The person(s) caring for and operating the fixture must supply these factors.

(3) UNPACKING THE FIXTURE

On checking the contents of the box you will find;

1. Fixture Back Plate with socket
2. Mounting Hardware
3. 1 x Glass Diffuser
4. 1 x 24 W FT18DL (2G11 Base) Bulb

(4) PREPARING THE FIXTURE

1. If you are replacing an existing fixture, disconnect and remove the old fixture. Expose the supply wiring from the outlet box.
2. Feed the **fixture wires** through the center hole in the **fixture mounting plate** and make the following wire connections.
3. Connect the **Black wire** from the fixture to the **Black supply wire** and the **White fixture wire** to the **White supply wire**, fasten securely with the supplied **wire nuts** and secure the **wire nuts** with **UL listed electrical tape** (not supplied). Tuck the wires carefully into the outlet box.
4. Connect the **ground wire** from the fixture to the **electrical supply ground wire**, or attach the **ground wire** directly to the **ground screw** on the mounting bracket. Fasten securely with the supplied **wire nuts** and secure the wire nuts with **UL listed electrical tape** (not supplied). Tuck the wires carefully into the outlet box.
5. Secure the **fixture back plate** to the **junction box** with the supplied screws.
6. Insert the 24 W FT18DL (2G11 Base) Bulb. **DO NOT EXCEED THE WATTAGE AS INDICATED ON THE WARNING LABEL.**
7. Secure the **Glass Diffuser** by fitting the **diffuser** over the **fixture back plate**. Insert the supplied **Thumb Nuts** into the designated **holes** on the sides of the **fixture back plate** and **glass diffuser**.
8. Restore the electricity and enjoy your new fixture.

CAUTION:

- **Ensure that the Fitting is Cool and Switched off, Before Changing Bulbs.**
- **Do Not use Bulbs Exceeding Maximum Wattage as Per Caution Label.**
- **Do Not Touch the Bulb while fixture is in operation.**
- **Do Not place fixture in close proximity to any combustible material.**

Do not install this fixture in hazardous locations.

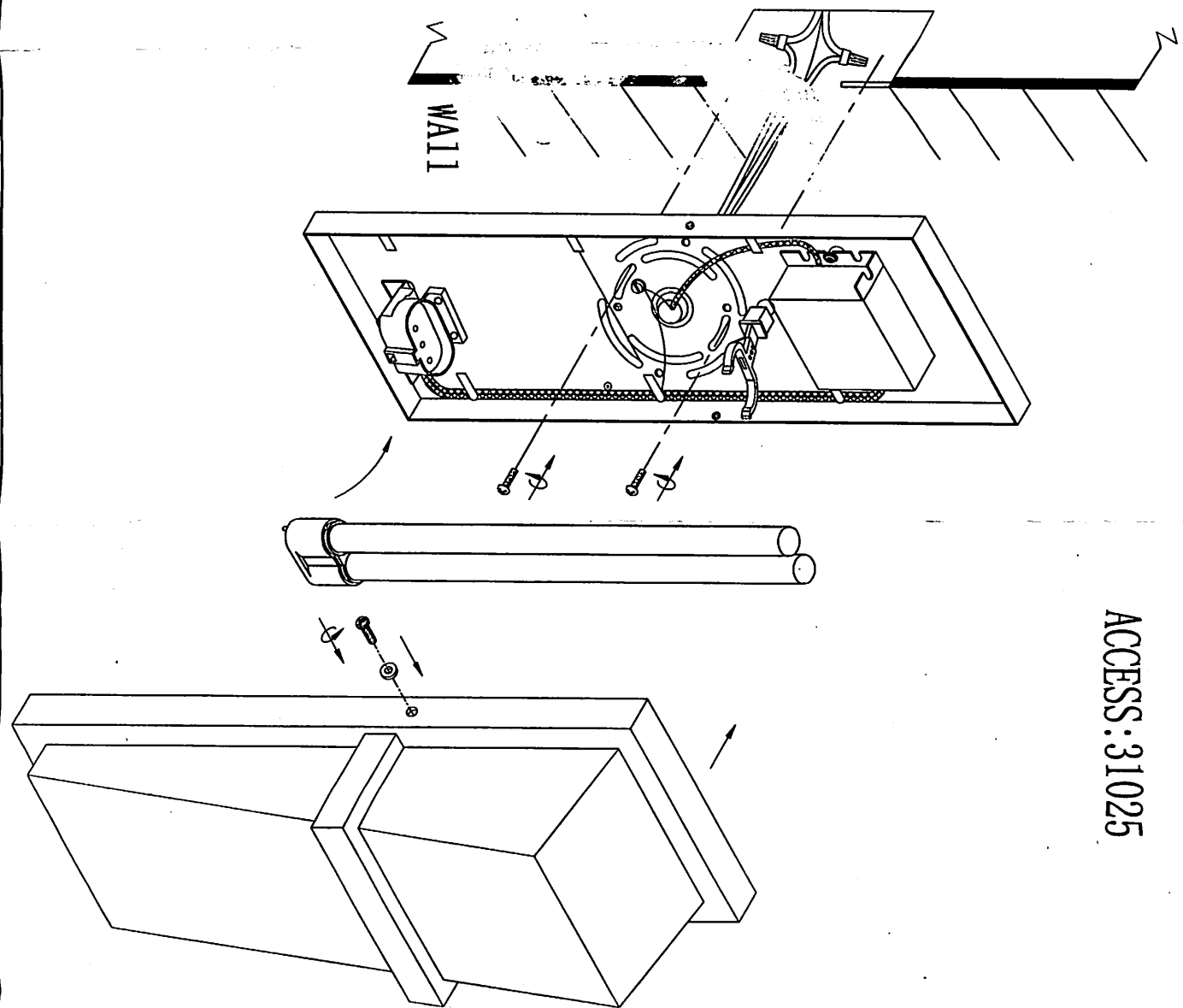
Do not install this fixture assembly closer than 6 inches from any curtain or similar combustible material.

CONSULT A QUALIFIED ELECTRICIAN TO ENSURE CORRECT BRANCH CIRCUIT CONDUCTOR. THIS PRODUCT MUST BE INSTALLED IN ACCORDANCE WITH THE APPLICABLE INSTALLATION CODE BY A PERSON FAMILIAR WITH THE CONSTRUCTION AND OPERATION OF THE PRODUCT AND THE HAZARDS INVOLVED/ CE PRODUIT DOIT ÊTRE INSTALLÉ SELON LE CODE D'INSTALLATION PERTINENT, PAR UNE PERSONNE QUI CONNAÎT BIEN LE PRODUIT ET SON FONCTIONNEMENT AINSI QUE LES RISQUES INHÉRENTS

a c c e s s

L I G H T I N G

05232010ISIP



ACCESS: 31025