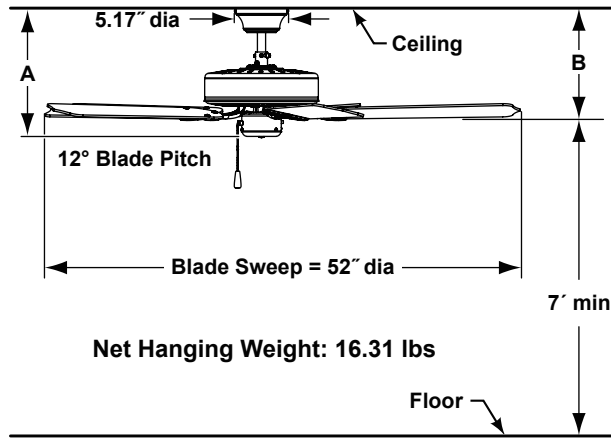




BP200**1-220 Series Ceiling Fans



	A	B
Fan w/4.5" downrod	13.20"	11.10"
Fan w/12" downrod	20.70"	18.60"
Fan w/18" downrod	26.70"	24.60"
Fan w/24" downrod	32.70"	30.60"
Fan w/36" downrod	44.70"	42.60"
Fan w/48" downrod	56.70"	54.60"
Fan w/60" downrod	68.70"	66.60"
Fan w/72" downrod	80.70"	78.60"

INSTALLATION REQUIREMENTS:

Fan must be attached to a securely anchored electrical junction box capable of withstanding a load of at least 50 lbs.

ELECTRICAL REQUIREMENTS:

Requires a grounded electrical supply line of 220~240 volts AC, 50 Hz, 5 amp circuit.

MOTOR SPECS:

153 x 15-220 motor is designed for optimal performance with this fan.

BLADES:

A set of five 20.7" traditional wood blades is included.

CONTROL OPTIONS:

Optional C1-220, C2-220, C3-220 and C6-220 wall controls and CR4WH-220 remote control are available—sold separately. Instructions are provided with each control.

LIGHTING OPTIONS:

Optional lighting fitters and light kits are available. See our catalog or visit www.fanimation.com for available lighting options.

DOWNROD OPTIONS:

Dual mount for flush mount application or 1" dia x 4.5" long downrod. Optional downrods available in 12", 18", 24", 36", 48", 60", and 72" lengths. A downrod coupler is available for installations requiring a downrod longer than 72". Fan can be mounted on a sloped ceiling up to 19°. Most sloped ceiling installations require a downrod longer than the standard 6" downrod. Call technical support for more information.

LOCATION USE:

Series fans are rated for dry locations only.

Available Finishes	
Fan / Housing Assembly	Blades - Traditional
MW – Matte white	Matte white
OB – Oil-rubbed bronze	Cherry / walnut reversible
SN – Satin nickel	Cherry / walnut reversible

TUV/GS Efficiency Info (220V)			
Fan Speed	Max RPM	Amps	Watts
High	175	0.25	57
Med	98	0.14	16
Low	50	0.08	5